

**⚠ WARNING:**

**BEFORE USING THIS FIREARM, READ AND FOLLOW THESE INSTRUCTIONS**

**If there is anything you do not understand, get help from someone qualified in the safe handling of firearms.**



**SAFETY  
AND  
INSTRUCTION  
MANUAL**

## **COLT MATCH TARGET® RIFLES**

**Copyright © 1994 Colt's Manufacturing Company, Inc. All Rights Reserved.  
This instruction manual should always accompany this firearm.**

**When you lend, give or sell this firearm, be sure this manual goes with it.**

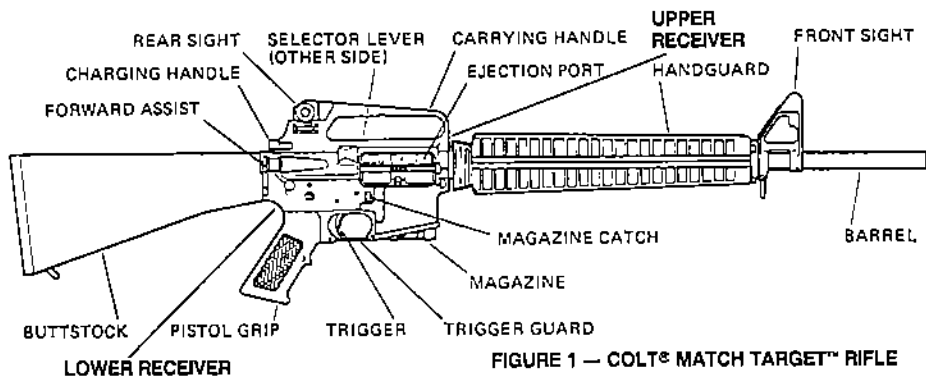


FIGURE 1 — COLT® MATCH TARGET™ RIFLE



**CAUTION: USE ONLY CLEAN, DRY, ORIGINAL HIGH QUALITY COMMERCIALLY MANUFACTURED AMMUNITION IN GOOD CONDITION** which is appropriate to the caliber of your firearm. We do not recommend the use of remanufactured or hand loaded ammunition because it may severely damage your rifle.

**RIFLE CHAMBERED FOR:**

**SUITABLE AMMUNITION**

	223 Rem	222 Rem	222 Rem Mag.	9mm Luger	7.62x39
223 Rem	Yes	No	No	No	No
222 Rem	No	Yes	No	No	No
9mm Luger	No	No	No	Yes	No
7.62x39	No	No	No	No	Yes

READ AND UNDERSTAND ALL THE FOLLOWING PRECAUTIONS BEFORE REMOVING THIS FIREARM FROM ITS PACKAGE.

This Colt product is classified by the Alcohol, Tobacco and Firearms Division of the Internal Revenue Service, U.S. Treasury Department, as a firearm or dangerous weapon; it is, therefore, potentially lethal!



**WARNING: IF THIS FIREARM IS CARELESSLY OR IMPROPERLY HANDLED, UNINTENTIONAL DISCHARGE COULD RESULT AND COULD CAUSE INJURY, DEATH, OR DAMAGE TO PROPERTY.**



**CAUTION: CAREFULLY READ THIS INSTRUCTION MANUAL WHICH GIVES BASIC ADVICE ON THE PROPER HANDLING AND FUNCTIONING OF THIS COLT FIREARM PRIOR TO LOADING AND FIRING. However, your safety and the safety of others (including your family) depends on your mature compliance with that advice, and your adoption, development and constant employment of safe practices. If unfamiliar with firearms, seek further advice through safe handling courses run by your local gun clubs, NRA approved instructor, or similar qualified organizations.**

## **NOTICE**

Colt shall not be responsible for injury, death, or damage to property resulting from either intentional or accidental discharge of this firearm, or from its function when used for purposes or subjected to treatment for which it was not designed. Colt will not honor claims involving this firearm which result from careless or improper handling, unauthorized adjustment or parts replacement, corrosion, neglect, or the use of wrong caliber ammunition, or the use of ammunition other than original high quality commercially manufactured ammunition in good condition, or any combination thereof. Colt will not honor claims involving this firearm for any reason or cause when such claims are made by the second or subsequent owner.

## **IMPORTANT**

Before it left the factory this firearm was tested, carefully inspected, and packaged. Colt cannot control product handling after it leaves the factory; therefore, please examine this firearm carefully at the time of purchase to insure that it is unloaded and undamaged. The dealer will be pleased to assist you in making this examination and endeavor to answer your further questions.

This instruction manual should always accompany this firearm. When you lend, give or sell this firearm, be sure this manual goes with it.

## LIST OF SECTIONS

SECTION	TITLE	PAGE	SECTION	TITLE	PAGE
1	<b>PRECAUTIONS</b>	1		Tips on Aiming	26
2	<b>Main Features</b>	4		Forward Assist	28
3	<b>Safety Instructions:</b>	5		Loading	28
	Features:	14		Unloading	32
	Selector Lever	14		Firing	33
	Bolt Locking Safety Features	15	5	<b>Maintenance:</b>	37
	Disconnect	15		Stripping for Cleaning	37
	Fail-Safe Firing			When to Clean	44
	Mechanism	16		How to Clean	44
	Separation of Upper and			Cleaning the Magazine	48
	Lower Receivers	16		Cleaning the Carrying	
4	<b>Function:</b>	17		Handle	48
	Ammunition Selection	18		Storage	48
	Sights:	19		Servicing and Repair	49
	Front Sight	19	6	<b>Parts Illustration</b>	
	Rear Sight (Range)	20		<b>and List</b>	52
	Rear Sight (Windage)	21	7	<b>The Customized Gun</b>	54
	Zeroing Sights	23			

SAFETY DEPENDS ON YOU


**SECTION 2****MAIN FEATURES**


The Colt Match Target is a lightweight, semiautomatic sporting rifle in a range of models. It has a magazine to comply with Federal limits and a 5 round limiter is installed to comply with the hunting laws of most states. The limiter is removable.

While this manual applies to all Match Target models, additional special instructions are included with those whose functional features differ.

Rifle Type and Caliber	Action	Weight	Barrel Length	Sights
Competition HBAR 223 Rem	Gas operated closed bolt (locked)	8.5lb	20 in	Weaver type rail for optical sight mounting. Detachable carrying handle with fully adjustable rear sight
Match HBAR 223 Rem	Gas operated closed bolt (locked)	8.0 lb	20 in	Fully adjustable rear. Zeroing adjustment front.
Target Model Rifle 223 Rem	Gas operated closed bolt (locked)	7.5 lb	20 in	Fully adjustable rear, Zero Adjustment front.
Lightweight Rifle 223 Rem	Gas operated closed bolt (locked)	6.7 lb	16 in	Fully adjustable rear. Zeroing adjustment front.
Lightweight Rifle 7.62x39	Gas operated closed bolt (locked)	7.3 lb	16 in	Fully adjustable rear. Zeroing adjustment front.
Lightweight Rifle 9mm*	Blowback, closed bolt	7.1 lb	16 in	Fully adjustable rear. Zeroing adjustment front.

We want you to enjoy shooting your Colt rifle, but we want you to enjoy it safely. You may be an experienced safe shooter already familiar with the procedures in this instruction manual, or you may never have handled a gun before. Either way we urge you to read **this entire instruction manual carefully. You must follow the safety instructions for your safety and the safety of others.**

 **WARNING:** When you squeeze the trigger, you must expect the gun to fire, and you must take full responsibility for firing it. *Your care can avoid accidental discharge, and you will thereby avoid accidental injury and death.*

 **WARNING:** THIS FIREARM MAY DISCHARGE ACCIDENTALLY WHEN A ROUND IS FED INTO THE CHAMBER, IF IT IS DROPPED OR RECEIVES A BLOW TO THE MUZZLE OR FRONT OF THE GUN. (This can occur regardless of the position of the hammer or any of the various safety devices.) Therefore, extra care and strict adherence to these instructions by the gun user is mandatory for minimizing the risk of accidents.

## **CAUTIONS:**



### **GENERAL HANDLING CAUTIONS**

- 1. ALWAYS HANDLE YOUR FIREARM AS IF IT WERE LOADED** so that you never fire it accidentally when you think it is unloaded.
- 2. NEVER POINT YOUR FIREARM AT ANYTHING YOU DO NOT INTEND TO SHOOT** so that if it fires accidentally, injury, death, or damage to property will be prevented.
- 3. NEVER TAKE ANYONE'S WORD THAT A GUN IS UNLOADED;** check for yourself with fingers off the trigger and gun pointed in a safe direction, so that you never fire the gun accidentally when you think it is unloaded.
- 4. ALWAYS MAKE SURE YOUR FIREARM IS NOT LOADED AND BOLT IS LATCHED OPEN BEFORE LAYING IT DOWN, OR HANDING IT TO ANOTHER PERSON,** so that it cannot be fired when it is unsafe to do so. But do not let anyone stick their fingers in the ejection port.
- 5. ALWAYS KEEP AND CARRY YOUR FIREARM EMPTY, WITH THE HAMMER FORWARD** except when you intend to shoot, so that your firearm cannot be fired when you do not mean to fire it.



**6. ALWAYS BE AWARE OF POSSIBLE RISK FROM DROPPING YOUR FIREARM.** Some parts of the mechanism could be damaged. You may not see the damage, but if it is severe, the firearm may discharge and cause injury, death, or damage to property. If your firearm has been dropped, have it examined by a competent gunsmith before using it again.

**7. NEVER LEAVE A FIREARM COCKED READY TO FIRE** as this condition is extremely dangerous, and firearm could easily be accidentally discharged, causing injury, death, or damage to property.

**8. NEVER LEAVE A LOADED FIREARM UNATTENDED.** Someone, especially a child, may fire it and cause injury, death, or damage to property.

**9. ALWAYS INSTRUCT CHILDREN AND OTHERS IN YOUR HOUSEHOLD TO RESPECT FIREARMS.** If you teach your children to shoot, teach them or get them trained by a qualified instructor to treat and use the firearm properly, and always supervise them closely. Always stress safety so that your children will not fire the firearm when it is unsafe to do so.



## **RANGE CAUTIONS**

10. ALWAYS BE SURE YOUR BACKSTOP IS ADEQUATE to stop and contain bullets before beginning target practice so that you do not hit anything outside the range shooting area.

11. ALWAYS PUT A KNOWLEDGEABLE AND RESPONSIBLE PERSON IN CHARGE TO MAINTAIN SAFETY CONTROL WHEN A GROUP IS FIRING ON A RANGE. Obey his commands so that discipline is maintained to reduce the likelihood of accidents.

12. ALWAYS CARRY YOUR FIREARM EMPTY WITH BOLT LATCHED OPEN WHILE ON A RANGE until preparing to fire. Keep It pointed towards the backstop when loading, firing and unloading, to eliminate the risk of injury, death, or damage to property from premature discharge.



## **LOADING CAUTIONS**

13. ALWAYS BE SURE BARREL BORE, CHAMBER AND ACTION ARE CLEAN AND CLEAR OF OBSTRUCTIONS. Clean a wet or fouled firearm immediately so that it will function correctly and safely.

**14. ALWAYS USE ONLY CLEAN, DRY, ORIGINAL HIGH QUALITY COMMERCIALY MANUFACTURED AMMUNITION IN GOOD CONDITION WHICH IS APPROPRIATE TO THE CALIBER OF YOUR FIREARM.** (See inside front cover.) Gun and ammunition manufacturers design their products within exacting engineering safety limits. Handloads and remanufactured ammunition are sometimes outside those limits and can be so unsafe as to blow up the chamber, damage the receiver and magazine, and cause injury, death, or damage to property with costly repairs to your rifle.

**15. ALWAYS CHECK THAT AMMUNITION IS CLEAN AND UNDA- MAGED BEFORE USING THE FORWARD ASSIST.** Forcing damaged ammunition into the chamber could damage your rifle and could result in injury, death or damage to property.



### **SHOOTING CAUTIONS**

**16. NEVER DRINK ALCOHOLIC BEVERAGES OR TAKE DRUGS BEFORE OR DURING SHOOTING,** as your vision and judgment could be seriously impaired making your gun handling unsafe.

**17. ALWAYS SEEK A DOCTOR'S ADVICE IF YOU ARE TAKING MED- ICATION,** to be sure you are fit to shoot and handle your firearm safely.

**18. ALWAYS WEAR AND ENCOURAGE OTHERS TO WEAR EAR PROTECTION WHEN SHOOTING,** especially on a range. Without ear protection, the noise from your firearm and other guns close to you, could leave a "ringing" in the ears for some time after firing, while the cumulative long term effect could be permanent hearing loss.

**19. ALWAYS WEAR AND ENCOURAGE OTHERS TO WEAR PROTECTIVE SHOOTING GLASSES.** Flying particles could damage eyes and cause blindness; but protective shooting glasses should prevent such injury.

**20. ALWAYS KEEP SELECTOR LEVER SET TO "SAFE" WHEN FIREARM IS LOADED AND COCKED** until you are aiming at a target and intend to fire. This will minimize risk of an accidental discharge.

**21. ALWAYS KEEP CLEAR AND KEEP OTHERS CLEAR OF THE EJECTION PORT.** Spent cartridges are ejected with enough force to cause injury, and the ejection port must be unobstructed by your hand to insure safe ejection of live rounds. Never place fingers in ejection port; they could be burned by hot metal or injured by the bolt moving forward.

**22. NEVER SQUEEZE THE TRIGGER OR PUT YOUR FINGER IN THE TRIGGER GUARD UNTIL YOU ARE AIMING AT A TARGET AND READY TO SHOOT.** This will prevent you from firing the firearm when it is pointing in an unsafe direction.

**23. ALWAYS BE ABSOLUTELY SURE OF YOUR TARGET AND THE AREA BEHIND IT BEFORE YOU SQUEEZE THE TRIGGER.** A bullet could travel through or past your target up to 3 miles . . . If in doubt, don't shoot.

**24. NEVER ATTEMPT TO FIRE IF WATER IS IN THE BARREL.** Water can accumulate if your firearm is exposed to heavy rain or fog. Open the bolt and allow water to drain before firing. Clean a wet firearm as soon as possible.

**25. NEVER SHOOT AT A HARD SURFACE SUCH AS ROCK, OR A LIQUID SURFACE SUCH AS WATER.** A bullet may ricochet and travel in any direction to strike you, or an object you cannot see, causing injury, death, or damage to property.

**26. NEVER DISCHARGE A FIREARM NEAR FLAMMABLE MATERIAL.** Flame and sparks erupt from the firearm when discharged. They could start a fire or cause flammable liquids and gasses to explode.

**27. NEVER FIRE YOUR FIREARM NEAR AN ANIMAL** unless it is trained

to accept the noise; an animal's startled reaction could injure it or cause an accident.

**28. NEVER INDULGE IN "HORSEPLAY" WHILE HOLDING YOUR FIRE-ARM as it may be accidentally discharged.**

**29. NEVER WALK, CLIMB OR FOLLOW A COMPANION WITH YOUR FIREARM COCKED READY TO FIRE (IN BATTERY) to eliminate risk of accidental discharge. When hunting, hold your firearm so that you can always control the direction of the muzzle and keep selector lever set to "safe."**



### **MALFUNCTION CAUTIONS**

**30. FAILURE TO FIRE: ALWAYS HOLD THE FIREARM, KEEPING IT POINTED TOWARDS THE TARGET OR A SAFE OPEN AREA AND WAIT 30 SECONDS WHEN IT FAILS TO FIRE. If a hangfire (slow ignition) has occurred, round will fire within 30 seconds. If round does not fire, open cylinder, eject round and examine primer; if firing pin indent on primer is light, off center, or non-existent, have firearm examined by a competent gunsmith before firing again. If firing pin indent on primer appears normal (in comparison with similar previously fired rounds), assume faulty ammunition; segregate misfired round from other live ammunition and empty cases, reload and carry on firing.**

**NOTE 1:** It is normal for a light firing pin indent to appear on the primer of cartridges which have been fed into the changer of the Match Target but not fired.

**NOTE 2:** Dispose of misfired rounds in accordance with ammunition manufacturer's instructions.

**31. NEVER USE YOUR FIREARM IF IT FAILS TO FUNCTION PROPERLY, AND NEVER FORCE A JAMMED ACTION,** as a round may explode causing serious injury, possible death, or severe damage to your firearm.



### **CLEANING AND STORAGE CAUTIONS**

**32. ALWAYS MAKE SURE YOUR FIREARM IS NOT LOADED BEFORE CLEANING AND STORING** so that it cannot be fired when it is unsafe to do so.

**33. ALWAYS KEEP AND STORE YOUR FIREARM AND AMMUNITION IN SEPARATE LOCKED RECEPTACLES OUT OF REACH AND SIGHT OF CHILDREN AND UNTRAINED PEOPLE,** to minimize the risk of firearm and ammunition being easily available for loading and firing.



## **GUN ABUSE CAUTIONS**

34. **NEVER ABUSE YOUR FIREARM** by using it for any purpose other than shooting.
35. **NEVER DRY FIRE WHEN THE RECEIVERS ARE OPEN** as the level of safety could be reduced.
36. **NEVER ALTER PARTS** as the level of safety could be reduced.

**NOTE:** Please note that we have chosen to use the word "SQUEEZE" in this instruction manual instead of "PULL" or "PRESS" when trigger movement is described; this is simply to remind you of the need for a gentle squeezing action to achieve accuracy.

## **SAFETY FEATURES**

### **Selector Lever**

A selector lever, located on the left of the lower receiver, has two positions, "FIRE" and "SAFE." When set to "FIRE," the firearm will fire a single shot each time the trigger is squeezed. When set to "SAFE," a cam bears upon the rear portion of the trigger, blocking the sear surface of the trigger and preventing the hammer from being released.



This rifle can fire only when the bolt is fully locked to the barrel and the firing pin is free to move forward. The firing pin is prevented from reaching the cartridge by the bolt carrier. Only when the bolt carrier moves forward over the bolt, rotating it to the fully locked position, can the firing pin move forward enough to fire the rifle. This design feature insures that the rifle will not fire out of battery: i.e. before cartridge is fully chambered and bolt is fully rotated (locked) to the barrel.

Even with the bolt locked, if you do not use the proper ammunition, your rifle could blow up or blow down through the magazine. See inside front cover and elsewhere in the manual where we stress that you can use only clean, dry, original high quality commercially manufactured ammunition in good condition. Keep the bore of the barrel clear too.

### **Disconnect**

The disconnect which is part of the firing mechanism prevents the firearm from firing in the full automatic mode. As the hammer is cocked after each shot by the rearward movement of bolt carrier, the disconnect engages the hammer to hold it rearward until trigger is released. When trigger is released, retention of hammer passes from disconnect to sear surface of trigger ready for next shot.

## **Fall Safe Firing Mechanism**

In case of any failure of the firing mechanism, the top of the hammer and underside of the carrier are machined in such a way that if the hammer was not held rearward by the disconnect or trigger sear surface, the hammer would ride under the carrier and drop into engagement with the back of the firing pin to stop the rifle from firing.

## **Separation of Upper and Lower Receivers**

In the event of functional problems, the lower receiver can be separated from the upper by pivoting it downwards after pushing out the take down pin. This provides access to the mechanism and separates the firing mechanism from other components so that the cocked hammer could not strike the firing pin. See CAUTION No. 30 before attempting to open the firearm this way and stay well clear of both ends when you do open it.

Colt Match Target rifles have a semi-automatic action. With action cocked, chamber loaded and selector lever set to "FIRE," the trigger is squeezed. The trigger rotates, disengaging trigger sear surface from the hammer. The hammer spring drives hammer forward to strike firing pin, which in turn strikes the primer in base of cartridge, igniting primer composition which ignites the main powder charge.

High pressure gasses push the bullet down the barrel where rifling grooves impart stabilizing spin to the bullet. On gas operated models as a bullet passes the gas port (a small hole in barrel below front sight) gas is tapped off, flows through the gas tube, into bolt carrier chamber driving the bolt carrier rearward. As the bolt carrier moves to the rear the firing pin is withdrawn into the bolt, while the cam track in the bolt carrier acts upon the bolt cam pin, causing the bolt to rotate until its locking lugs are no longer in engagement with the lugs of the barrel extension.

The bolt is now unlocked and is carried rearward by the bolt carrier. The extractor extracts the spent cases and holds it against face of bolt until ejector throws spent cases through ejection port.

The bolt and carrier continue rearward, compressing the action spring and returning hammer to cocked position, until buffer assembly strikes

bottom of the receiver extension and stops. The action spring then forces the bolt and carrier forward so that the face of the bolt strips the next round of ammunition from the magazine and thrusts it into the chamber. Simultaneously the extractor snaps into the groove of a cartridge case and the bolt locks into the barrel.

The hammer is now held rearward by the disconnect. When trigger is released, the disconnect is rotated back releasing the hammer. However, before the disconnect hook actually releases the hammer, the trigger sear surface has rotated in front of the hammer notch so that hammer is held on trigger sear surface ready for another shot.

THIS IS A SEMI-AUTOMATIC FIREARM AND IS IMMEDIATELY LOADED AND READY TO FIRE AGAIN AFTER EACH SHOT UNTIL MAGAZINE IS EMPTY.

### **AMMUNITION SELECTION**

Colt firearms are designed to function with a variety of brands and types of **factory-manufactured ammunition** in the appropriate caliber; but not all ammunition produces the same results. Colt recommends that after you read and understand this manual, you go to the range and fire different ammunition which is appropriate to the caliber of your firearm as recommended on the inside front cover. Once you find the ammunition

which functions best, keep using it when you most need it, especially when cutting-edge reliability and accuracy are vital to you. To protect you from danger and your rifle from damage, Colt does not recommend the use of handloads or remanufactured ammunition.

## SIGHTS

Your rifle has a mechanical sighting system which allows you to adjust for variations in range and windage. If your rifle has a removable handle it also has a Weaver style rail upon which mounting rings and a telescope sight can be installed.

**FRONT SIGHT.** The mechanical sights consist of a front sight and a fully adjustable rear sight. The front sight post can be adjusted up or down when it is necessary to zero your sights and establish the point of bullet impact; the point of zeroing is to confirm that your bullets strike the target where you expect them to strike. When you follow the zeroing procedure later in this manual it will describe how to adjust the sights while firing at a 25m target so that the rifle is effectively zeroed at 300m. Of course you can zero your rifle at any range you like. After zeroing your rifle the front sight post should not be moved again.

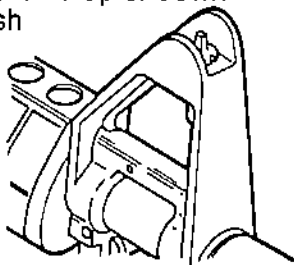
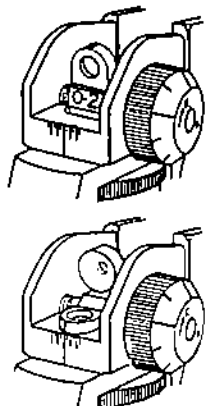


FIGURE 2 —  
FRONT SIGHT

**SAFETY DEPENDS ON YOU**

**REAR SIGHT (RANGE).** Use your rear sight to set different ranges by turning the elevation knob under the sight to raise it or lower it. The rear sight has two apertures; use the one with the larger hole for short ranges from 0 to 200m. Use the small aperture for longer ranges. When using the large aperture make sure the flat surface of the elevation knob is on the left side of the rifle and the sight is at its low 300m setting, with the line on the flat of the knob lined up with the line on the receiver of the rifle. Depending on the type of rifle you are using this setting will show 8/3, 6/3 or blank. When the carrying handle is built into the upper receiver, 8/3 will be set with the sight down to its lowest setting for 300m, but remember 8/3 will also be set with the sight screwed up to its high setting for 800m. The sight on the removable carrying handle is marked 6/3 and is used the same way for 300m and 600m ranges. Sights provided with rifles in 7.62X39mm caliber are unmarked. To fire at ranges greater than 200m flip to the aperture with the small hole and turn the elevation knob to raise or lower the rear sight. You raise it for longer ranges and lower it for shorter. Align the mark on the elevation knob with the line on the receiver for the range you want; 300; 400; 500m etc.



**FIGURE 3 —  
SHORT RANGE-  
LONG RANGE**

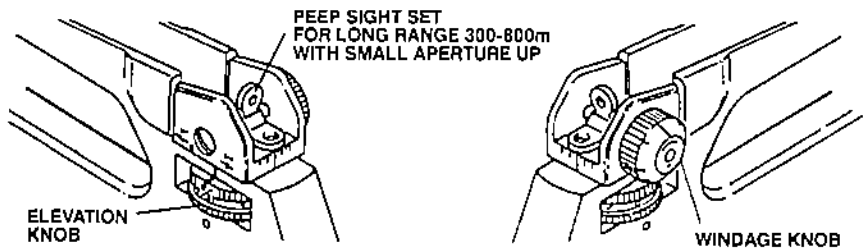


FIGURE 4 — REAR SIGHT

**REAR SIGHT (WINDAGE).** When you flip the large aperture back to bring the small aperture into use a line on the top of the large aperture lines up with the calibration lines on the back of the sight. These are used to adjust the sight for windage. A windage knob on the right side of the sight can be turned to move the rear sight to the right or the left. The calibration lines help you control windage adjustments during firing and allow you to return the sight to the zero position again when you have finished firing.

**Deflection Angles.** Elevation has a finer adjustment on sights in the removable handle than it does in sights on the built-in carrying handle. Windage adjustment is not different.

Deflection is the same for 223Rem and 7.62×39mm.

Distance between front and rear sight also affects sighting. The following table shows deflection in minutes of angle for both elevation and windage.

**ONE CLICK ADJUSTMENT OF REAR SIGHTS IN MINUTES OF ANGLE**

ONE CLICK ADJUSTMENT	BARREL LENGTHS WITH SIGHT ON STANDARD HANDLE		BARREL LENGTHS WITH SIGHT ON REMOVABLE HANDLE	
	20 In.	16 In.	20 In.	16 In.
Windage	0.50'	0.65'	0.50'	0.65'
Elevation	1.00'	1.43'	0.53'	0.65'

**Note:** As a useful guide, 1 minute of angle is approximately equivalent to a deflection of 1 inch at 100 yards.

To calculate the point of bullet impact for any known change in sight setting use the following formula:

Where:

R = Range . . . . . distance from rifle to target in meters or yards

A = Angle of deflection . . . . . see table above (Note: 1 degree = 60 minutes)

TAN = Tangent . . . . . see your calculator

For R in meters:

$$\text{Tan } (A/60) \times 100R = \text{deflection in cm on target.}$$

or

For R in yards:

$$\text{Tan } (A/60) \times 36R = \text{deflection in inches on target.}$$





## Zeroing Sights

If you have mounted a telescope sight follow the zeroing instructions provided with the sight. To zero your mechanical sights here is the procedure to follow:

1. The front sight post and rear sight windage knob are adjusted so you can hit your point of aim at 300 meters.
2. The small aperture must be in the up position.
3. Set the rear sight so that the 300m mark is aligned with the mark on the left side of the receiver. Sights with removable carrying handle with "Z" setting set to "Z".
4. During zeroing, only the front sight post and rear sight windage knob are adjusted to move the point of bullet impact on the target.
5. If you are zeroing on a 25-meter range, adjust the rear sight elevation knob one click up from the 300m mark and leave it that way while zeroing. Leave sights with "Z" setting set to "Z".
6. See "Tips on Aiming" (page 26) in the manual. Decide the sight picture you want to use and stick with it while zeroing your rifle.
7. Carefully aim at the target, taken your time and fire 5 rounds.

8. If your shot group is not centered on the target in elevation, measure the distance up or down from the center of the target. Adjust the **FRONT** sight post by depressing the sight plunger and turning the sight post the number of clicks you calculate from the following chart:

Change in point of impact on target at 25m.

20 in. Barrel	16 in. Barrel
1 click = 0.9 cm	1.2 cm
2 clicks = 1.8 cm	2.3 cm
3 clicks = 2.7 cm	3.5 cm
4 clicks = 3.5 cm	4.7 cm

To move next shot group **up** turn front sight post **clockwise**.  
To move it **down** turn front sight post **counterclockwise**.

9. If your shot group is not centered on the target from side to side, measure the distance from the center of the target to an imaginary line running vertically through the center of the shot group. Adjust the windage setting by turning the windage knob the number of clicks you calculate from the following chart:

Change in point of impact on target at 25m.

20 in. Barrel	16 in. Barrel
1 click = 0.3 cm	0.5 cm
2 clicks = 0.6 cm	0.9 cm
3 clicks = 0.9 cm	1.4 cm
4 clicks = 1.2 cm	1.9 cm

To move your next shot group to the **right** turn windage knob **clockwise**.  
To move it to the **left** turn the windage knob **counterclockwise**.

10. Repeat firing groups of 5 rounds and adjusting the sights as described above until you are satisfied that the group is where you want it on the target. Your sights are now zeroed.

11. Make a careful note of your windage setting and leave it set that way. If you were firing on a 25m range set elevation knob down to the 300m mark.

12. Select the aperture size for the range at which you are most likely to be firing.

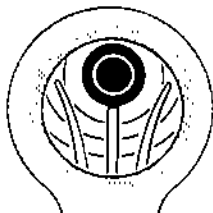
Large 0-200m;

Small 300m-600m or 800m depending on type.

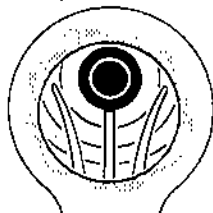
## Tips on Aiming

1. Relax, hold steady and check that back stop and area behind target is safe.
  2. Keep firearm level and don't tilt it sideways.
  3. Keep tip of front sight in center of rear sight aperture.
  4. Focus on tip of front sight, not on target.
- A. **For Bull's Eye** target shooting, most shooters adopt 6 o'clock hold on the black, and adjust the rear sight until groups of rounds fired are centered on the center of the bull's eye.
- B. **For Hunting**, prepare your rifle at the shooting range as you did for Bull's Eye, but adjust rear sight until groups of rounds fired are centered on the bottom of the Bull's Eye. This should make the point of impact the same as your point of aim.
- C. Some people prefer to aim at the center of the bull's eye so that the firearm is set for either Bull's Eye or Hunting. On the other hand, some shooters find it difficult to see the tip of the front sight against the black of the bull's eye and that is why we recommend the 6 o'clock hold in A and B.

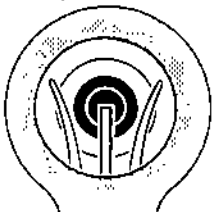
**A.**  
**For Bull's Eye**



**B.**  
**For Hunting**



**C. For Both**



**FIGURE 5 —  
SIGHT PICTURES**  
(what to look for when  
you look through the  
rear sight)

Try these methods and settle on the one that suits you. Also, remember that accuracy is only good at the range set. For a target at a different range, elevation adjustment may be necessary.

## FORWARD ASSIST

The forward assist allows you to help the bolt to lock into the barrel, but it will only be useful on rare occasions when the bolt fails to lock automatically. When you must use the forward assist, it is usually time you cleaned your rifle paying particular attention to the cleanliness of the chamber and bolt.



## LOADING

**CAUTION: ALWAYS CHECK THAT AMMUNITION IS CLEAN AND UNDAMAGED BEFORE USING THE FORWARD ASSIST.** Forcing damaged ammunition into the chamber could damage your rifle and could result in injury, death or damage to property.



### To Load a Magazine:

1. **CAUTION: READ SAFETY INSTRUCTIONS (Section 3).**
2. Use only ammunition recommended inside front cover of this instruction manual as suitable for your firearm. Examine the ammunition, particularly on and around the primer. Look for dents, scratches, and other signs of damage. Do not load damaged ammunition. Also see "Ammunition Selection", p. 18.

3. With short end of the magazine facing forward, place a round between the lips of the magazine with the bullet forward. Press the round down until it is held by the magazine lips. Place next round on top of previous round and repeat until desired number is loaded. (See Figure 6.)

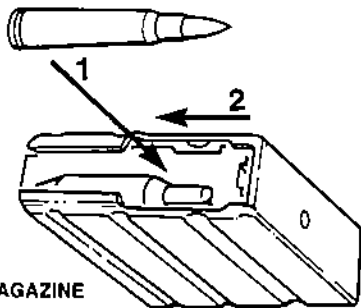


FIGURE 6 —  
LOADING THE MAGAZINE

**Note:** Match Target magazines for 223 Rem (5.56mm) caliber ammunition have a capacity of 8 rounds, but have a 5 round limiter to help you comply with the hunting laws in most states. Those for 7.62x39 caliber are limited to 5 rounds.

**CAUTION:** TO MINIMIZE RISK OF UNINTENTIONAL DAMAGE, LOAD LIVE AMMUNITION INTO YOUR FIREARM ONLY WHEN YOU ARE ABOUT TO SHOOT.

SAFETY DEPENDS ON YOU

## To Load the Rifle

**!** 1. **CAUTION: READ SAFETY INSTRUCTIONS (Section 3) — KEEP YOUR FIREARM POINTING IN SAFE DIRECTION AND DO NOT TOUCH THE TRIGGER.**

2. Remove empty magazine by depressing magazine catch (See Figure 1) which is located on right of lower receiver, and extracting magazine from magazine well.

3. Press in on bottom of thumb piece of bolt catch while grasping and pulling back on the charging handle, to cock the hammer and leave bolt and carrier latched open to the rear. (See Figure 7.)

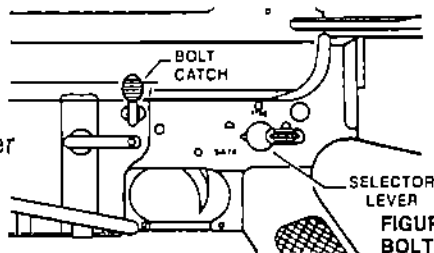


FIGURE 7 —  
BOLT CATCH AND  
SELECTOR LEVER


**!** **CAUTION: THE BOLT AND CARRIER BEING LATCHED OPEN IS NOT A SAFE CONDITION WHEN A LOADED MAGAZINE IS INSTALLED.**




4. Return charging handle fully forward until it locks and remove finger from bolt catch.
5. Set selector lever (located on left of lower receiver) to "SAFE"; this will lock the trigger.
6. With bullet points forward, insert the loaded magazine into magazine well and push it home until it stops and is locked by magazine catch.
7. Keeping fingers away from ejection port and muzzle pointing in a safe direction press in on the top of the thumb piece of the bolt catch. This will release the bolt and carrier to move forward and feed a round from the magazine into the chamber. THE FIREARM IS NOW LOADED WITH A ROUND IN THE CHAMBER AND THE HAMMER IS COCKED.
8. You may now close ejection port dust cover if you wish; it is located on right of upper receiver and will open automatically when the first round is fired.




**CAUTION: NEVER LEAVE YOUR FIREARM COCKED AND LOCKED, READY TO FIRE WITHOUT SELECTOR LEVER BEING SET TO SAFE, as this is the fire condition and is extremely dangerous; firearm could easily be accidentally discharged, causing injury, death or damage to property.**

 **WARNING: THIS FIREARM MAY DISCHARGE ACCIDENTALLY WHEN A ROUND IS FED INTO THE CHAMBER, IF IT IS DROPPED OR RECEIVES A BLOW TO THE MUZZLE OR FRONT OF THE GUN. (This can occur regardless of the position of the hammer or any of the various safety devices.) Therefore, extra care and strict adherence to these instructions by the gun user is mandatory for minimizing the risk of accidents.**

### **UNLOADING**

 **CAUTION: ALWAYS UNLOAD YOUR FIREARM IMMEDIATELY AFTER USE AND PRIOR TO CLEANING AND STORAGE TO MINIMIZE THE RISK OF ACCIDENTAL DISCHARGE.**

#### **To Unload:**

-  1. **CAUTION: READ SAFETY INSTRUCTIONS. KEEP YOUR FIREARM POINTING IN A SAFE DIRECTION. DO NOT TOUCH TRIGGER AND KEEP HANDS AWAY FROM EJECTION PORT.**
2. Set selector lever to "SAFE."

3. Press magazine catch and remove magazine.
4. Pull charging handle to rear and push in lower portion of bolt catch. If a round had been in the chamber it should have been ejected. If last round had been fired, bolt and carrier should already be held to rear provided magazine was in place.
5. LOOK INTO CHAMBER THROUGH EJECTION PORT TO ENSURE CHAMBER IS EMPTY.
6. When magazine is removed and chamber is empty, push top portion of bolt catch to allow bolt and carrier to return forward.
7. Remove remaining live rounds by sliding them forward out of the magazine.
8. Collect live ammunition for safe storage and spent cartridge cases for disposal.

## **FIRING**

Before firing your rifle, practice your stance, aim, rhythm and breathing for steady aim with your firearm **UNLOADED**. Practice firing on a range before going hunting or using your firearm for any other type of shooting.

**CAUTIONS:**

1. ALWAYS WEAR AND ENCOURAGE OTHERS TO WEAR EAR PROTECTION WHEN SHOOTING, especially on a range. Without ear protection, the noise from your firearm and other guns close to you, could leave a "ringing" in your ears for some time after firing, while the cumulative long term effect could be permanent hearing loss.
2. ALWAYS WEAR AND ENCOURAGE OTHERS TO WEAR PROTECTIVE SHOOTING GLASSES. Flying particles could damage eyes and cause blindness; but protective shooting glasses should prevent such injury.

**To Fire:**

1. **CAUTION:** READ SAFETY INSTRUCTIONS IN SECTION 3. KEEP YOUR FIREARM POINTING IN SAFE DIRECTION. DO NOT TOUCH TRIGGER AND KEEP HANDS AWAY FROM EJECTION PORT.
2. Load firearm as previously described.
3. Set rear sight to range required.
4. Grasp firearm with one hand on handguard and other hand on pistol grip with index finger resting along outside of trigger guard. Raise firearm and pull buttstock firmly into shoulder.

5. Aim by aligning target with front and rear sights.  
(See "Tips on Aiming" and Figure 5.)

6. Move selector lever to "FIRE."

7. Keeping steady aim, place index finger on trigger and squeeze gently until trigger releases hammer. Don't jerk the trigger as you will disturb your aim and spoil your accuracy. To fire the second and subsequent rounds, all that is necessary is to release the trigger and squeeze it again after every shot until you have completed firing or emptied the magazine.

8. THIS IS A SEMIAUTOMATIC FIREARM AND IS IMMEDIATELY LOADED AND READY TO FIRE AGAIN AFTER EACH SHOT UNTIL THE MAGAZINE IS EMPTY.

**Note:** This rifle can also be fired without a magazine in place.

9. Release trigger, remove finger from trigger, and set selector lever to "SAFE." If you have fired the last round from magazine, the bolt will be held to the rear so that the firearm can quickly be reloaded by replacing the magazine, or the chamber can be inspected to insure it is empty.



**CAUTION: IF YOUR FIREARM FAILS TO FIRE, HOLD IT, KEEPING IT POINTED TOWARDS THE TARGET AND WAIT 30 SECONDS. If a hangfire (slow ignition) has occurred, round will fire within 30 seconds. If round does not fire, remove magazine, eject round and**

examine primer. If firing pin indent on primer is light, misaligned or nonexistent, have your firearm examined by a competent gunsmith. If firing pin indent on primer appears normal (in comparison with previously fired rounds) assume faulty ammunition; segregate misfired round from other live ammunition and empty cases; reload and carry on firing.

**Note 1:** On this rifle, it is normal for a light firing pin indent to appear on cartridges which have been fed into the chamber, but not fired.

**Note 2:** Dispose of misfired rounds in accordance with the ammunition manufacturer's instructions.



**11. CAUTION: KEEP YOUR FIREARM POINTING IN A SAFE DIRECTION. UNLOAD** as previously described.

**IMPORTANT:** If you load your firearm but do not fire it, keep selector lever set to "SAFE" until ready to fire. If you lose the opportunity to fire, unload as previously described.



**CAUTION: NEVER LEAVE YOUR FIREARM COCKED READY TO FIRE WITHOUT SELECTOR LEVER SET TO "SAFE"** as this is the fire condition and is extremely dangerous. Your firearm could easily be accidentally discharged, causing injury, death, or damage to property.

Although your Colt Match Target rifle has been developed from a line of ruggedly reliable Colt firearms, it, like any other precision mechanism, will perform better, last longer and remain safer when it is properly maintained. Follow the instructions in this section to keep your firearm in good condition.

**WEDGE**

Some models have a flexible wedge in the rear of the lower receiver to ensure a tighter union with the upper receiver. The wedge is located just behind the takedown pin. While its purpose is to remove any free play between the two parts of the rifle, it also makes them more difficult to assemble. This is normal. Use a little more effort when closing the receivers and use a pin punch to remove the takedown pin.

 **CAUTIONS:**

- 1. ENSURE THAT MAGAZINE IS REMOVED AND THE FIREARM IS NOT LOADED SO THAT IT CANNOT FIRE.**
- 2. WEAR SAFETY GLASSES IN CASE YOU LOSE CONTROL OF SOME SPRING LOADED COMPONENT WHICH COULD INJURE YOUR EYES.**

## STRIPPING FOR CLEANING

**IMPORTANT:** To prevent loss of small components during stripping and cleaning, lay them out in an orderly fashion.

1. Read safety instructions in Section 3 and CAUTIONS above.
2. Press take down pin in from left of lower receiver and pull pin out on right of receiver until it comes to a positive stop.
3. Pivot lower receiver down and away from upper receiver.

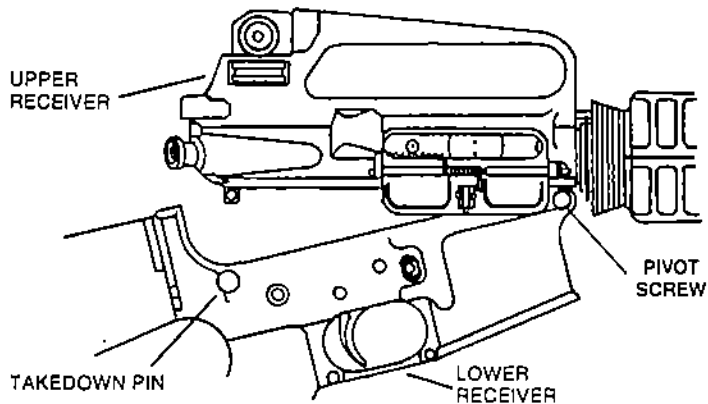
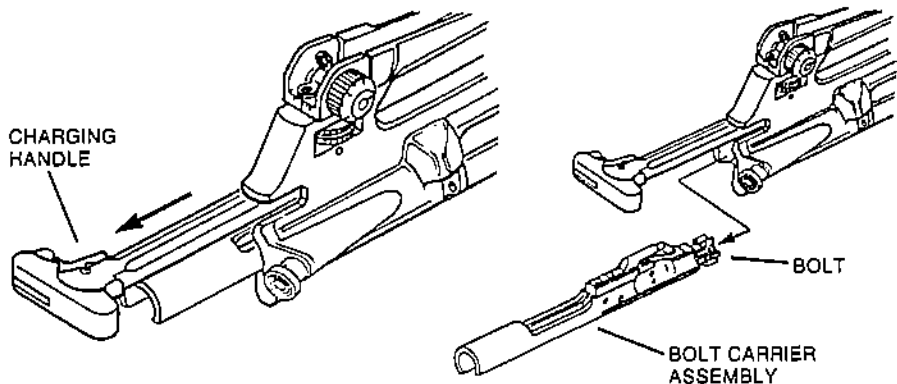


FIGURE 8 — RECEIVERS SEPARATED





**FIGURE 9 — REMOVE BOLT CARRIER ASSEMBLY**

4. If required for more convenience, remove pivot screw from front of receivers, and completely separate receivers. (See Figure 8.)
5. Pull charging handle to rear and remove bolt carrier assembly. (See Figure 9.)
6. Remove charging handle by pulling it backwards to keyway and down out of the upper receiver.

**SAFETY DEPENDS ON YOU**

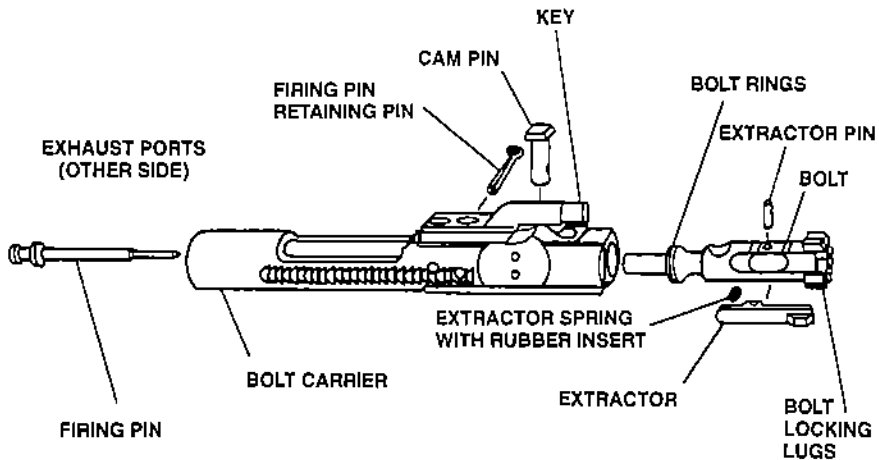


FIGURE 10 — BOLT AND BOLT CARRIER ASSEMBLY

7. Push in firing pin retaining pin from right to left of bolt carrier and remove pin by pulling it out to the left. (See Figure 10.)
  8. Tilt bolt face up and remove firing pin.
  9. Push bolt in towards the carrier until bolt rotates and comes to a stop, then turn bolt cam pin through  $90^\circ$  (i.e., at right angles to its normal position).
  10. Remove cam pin by lifting it out away from bolt and bolt carrier.
  11. Pull bolt forward out of bolt carrier.
- IMPORTANT:** Before removing extractor pin, be prepared to prevent movement of extractor spring. Do not attempt to remove the ejector retaining pin which is smaller and nearer the front of the bolt.
12. Press extractor pin in on right of bolt and pull pin out on left of bolt, then remove extractor from bolt.

13. Handguard Removal. Pull back on handguard slip-ring until it is clear of both sections of handguards and remove them. (See Figure 11.)

**Note:** This item is not necessary unless dirt has accumulated in or around the handguards.

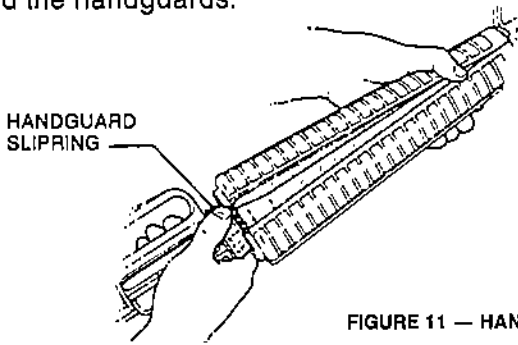


FIGURE 11 — HANDGUARD REMOVAL

14. Depress buffer, maintaining pressure as buffer is under spring tension, to prevent it from being ejected when buffer retainer is depressed. Depress buffer retainer to permit buffer and action spring to move forward. (See Figure 12.) Then depress the hammer to allow the

action spring and buffer assembly to continue to move forward and be completely removed from the receiver extension (See Figure 13.)

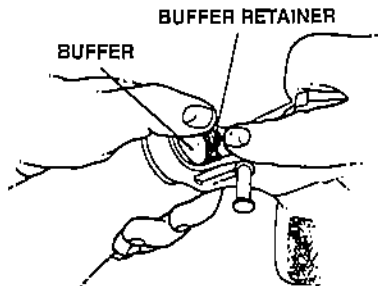


FIGURE 12 —  
BUFFER RETAINER DEPRESSED  
TO START BUFFER REMOVAL

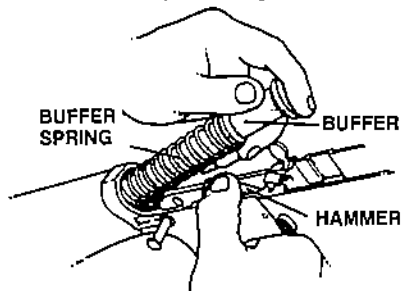


FIGURE 13 —  
BUFFER AND ACTIONS SPRING  
REMOVED

**IMPORTANT:** Do not strip your firearm further than previously described. If additional maintenance is required, see "Service and Repair" later in this instruction manual. Reassemble your firearm by reversing the stripping procedure already described, i.e., 14 through 1, and ensure that the cam pin is properly installed.



**CAUTION: IF YOU ATTEMPT TO FIRE WITHOUT THE CAM PIN INSTALLED, DAMAGE OR INJURY MAY RESULT.**

SAFETY DEPENDS ON YOU

## WHEN TO CLEAN

**Before firing**, check that barrel and chamber are clean and dry.

**After firing**, clean your firearm as soon as possible so that the job will be easier and there will be less opportunity for corrosion to start. Check it again within a few days to ensure no further cleaning is necessary.

**Periodically**, when your firearm has not been fired, we suggest you clean it when necessary and at least once or twice a year in the temperate climate, or as often as once a week in a tropical climate. If you carry a loaded firearm UNLOAD it and clean it when necessary and at least once a month. If you get your firearm wet, clean it as soon as possible

## HOW TO CLEAN

The following cleaning procedure may be used both periodically and after firing; however, those items marked "\*" are unnecessary for periodic cleaning.

**Materials:** Cleaning rod, cotton flannel patches (cut to fit snugly into the bore), a small toothbrush, good quality light gun oil, \*gun cleaning solution, \*a brass wire bristle bore cleaning brush, and a chamber cleaning brush.

**Note:** In freezing conditions (below 32°F or 0°C) avoid the use of oil for lubrication; instead, apply a dry lubricant sparingly.



**Procedure:**

**1. CAUTION: ENSURE THAT THE FIREARM IS NOT LOADED.**

2. Strip for cleaning as previously described.

**Note:** Avoid contact between cleaning rod and muzzle as resultant wear will reduce accuracy.

3. Attach cotton flannel patch to end of cleaning rod, insert it in chamber and pass rod and patch down through barrel. Repeat, changing patches with each pass through the barrel, until last patch comes out clean.

4. Visually inspect barrel; if it is clean, proceed directly with step 8, but if it remains dirty, continue with step 5.

5. \*(Note: Items 5 & 6 should be applicable only after firing.) Attach brass wire bristle brush to cleaning rod and dip brush in gun cleaning solution. Thoroughly scrub out barrel, passing the brush all the way through before reversing the movement. If you try to change direction with brush in barrel, the brush will stick.

6. Attach the larger, chamber cleaning brush to the cleaning rod, dip the brush in bore cleaning solution, and clean the chamber. Use a minimum of five plunge strokes and three 360° clockwise, rotational strokes.

7. Repeat steps 3 and 4 above.

**SAFETY DEPENDS ON YOU**

8. Use bore cleaning brush, still wet with gun cleaning solution, and clean carbon and powder residue from around the gas tube in the upper receiver, bolt locking lugs, bolt rings, firing pin, bolt cam pin, lip of the extractor, and inside the bolt carrier from both front and rear.

**IMPORTANT:** Do not use a wire brush on aluminum surfaces such as receivers. If cleaning is necessary, avoid scratches and wear by using a small toothbrush or flannel patch.

9. Wipe all components clean and dry and inspect them for excessive wear, corrosion or mechanical damage. If any of these conditions are discovered, have them corrected before firing again. (See Servicing and Repair later on in this section.)

10. Lightly moisten a flannel patch with gun oil and pass it once through barrel, leaving a thin film of oil on the inside surface. Leave this film of oil on the surface if firearm is to be stored. If it is not to be stored, or if it is being removed from storage for use, pass a dry patch through barrel and chamber to remove as much oil as possible.



11. Check that flannel or brush bristles have not become lodged in any part of firearm, then **lightly lubricate** the following parts. (See note on cold weather lubrication.)

- a. windage drum/rear sight detents
- b. ejection port cover latch
- c. ejection port cover spring
- d. action springs and pins
- e. front sight detent
- f. charging handle catch
- g. charging handle catch spring
- h. inside rear of bolt
- i. mouth of bolt key
- j. bolt carrier exhaust ports
- k. forward assist

12. Reassemble the firearm as previously described.

13. Remove any gun cleaning solution, oil, and finger prints from the outside surfaces of the firearm. (Finger moisture, if left, could start a corrosion process.)

## CLEANING THE MAGAZINE

Some magazines cannot be disassembled because the base plate is riveted in place. Those that can, should be disassembled as follows: first remove all ammunition from it and use a small screwdriver to pry the base plate away from the body (1). Push the base plate rearward slowly and carefully (2). Be ready to control the spring as the base plate is removed.

**Note:** Figure 14 represents some typical magazines and yours may not be identical to the one illustrated.

Removing the magazine spring follower from the magazine body is difficult and unnecessary. All the parts can be cleaned effectively without further disassembly.

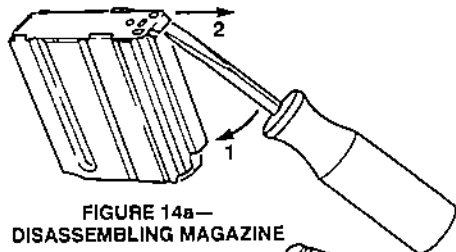


FIGURE 14a—  
DISASSEMBLING MAGAZINE

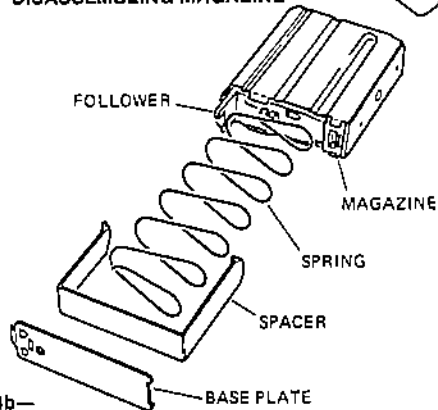


FIGURE 14b—  
ASSEMBLING MAGAZINE

**SAFETY DEPENDS ON YOU**

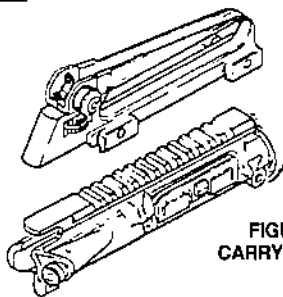
Clean all the components of the magazine before wiping them with a lightly oiled cloth. Then wipe them again with a dry cloth.

The removable 5 round limiter is provided for installation if required to meet the hunting laws of your state. In most states it may be left out for range practice and competition shooting.

When assembling the magazine it is important when the 5 round limiter is to be installed that it is correctly located around the spring. (See Figure 14.) It is also important to ensure the base plate is not bent and that it snaps into place when pushed fully home.

### **CLEANING THE CARRYING HANDLE**

Clean and lubricate (as described on page 47 items 11, 12 and 13.) When the carrying handle is off the rifle, lightly lubricate the two securing screw threads and make sure the flat top of the rifle is clean and free from damage. (See Figure 15).



**FIGURE 15 —  
CARRYING HANDLE**

## STORAGE



**CAUTION: ALWAYS UNLOAD YOUR SPORTER FOR STORAGE AND STORE AMMUNITION SEPARATELY.**

Store your firearm and ammunition securely locked in separate locations out of reach and sight of children. (Children are naturally curious and do not always believe the real danger of guns.)

**Note:** Do not store your firearm in an air-tight container, and do not seal or attempt to seal the barrel to exclude dust, as an internal steel surface is more likely to corrode.

## SERVICING AND REPAIR

Should your firearm require adjustment or repair, make sure it is NOT LOADED and take it, or send it to the nearest COLT AUTHORIZED REPAIR SERVICE STATION (a list of addresses is provided separately). For spare parts, seek advice from the Dealer who should have up-to-date information on how best to obtain genuine Colt parts.

An illustration and list of part names are included in the next section of this instruction manual to help you identify the part you need, but it is important to note that all parts are not available for sale. Those parts which are available should be installed at a Colt Authorized Repair Service Station. When ordering parts, please give part name as given on the Parts List. Also give the caliber, model name and serial number of your firearm.

**IMPORTANT:** If you make unauthorized adjustments or use unauthorized parts, Colt will not assume responsibility for the functioning of this firearm.

THIS GUN IS MANUFACTURED TO PERFORM PROPERLY WITH THE ORIGINAL PARTS AS DESIGNED. IT IS YOUR DUTY TO MAKE SURE ANY PARTS YOU BUY ARE INSTALLED CORRECTLY AND THAT NEITHER REPLACEMENTS NOR ORIGINALS ARE ALTERED OR CHANGED. That is why we say take it to a Colt Authorized Repair Service Station. YOUR GUN IS A COMPLEX TOOL WITH MANY PARTS THAT MUST RELATE CORRECTLY TO OTHER PARTS. PUTTING A GUN TOGETHER WRONG OR WITH MODIFIED PARTS CAN RESULT IN A DAMAGED GUN, DANGER, AND INJURY OR DEATH TO YOU AND OTHERS THROUGH MALFUNCTION. ALWAYS LET A QUALIFIED GUNSMITH WORK ON YOUR GUN AND CHECK ANY WORK YOU THINK WAS NOT PERFORMED BY A GUNSMITH. We at Colt think this is a small price to pay for firearms safety.

**Note:** Various Federal and State laws and local ordinances govern the transfer and transportation of firearms, so take the advice of the Dealer in your state on how to send or transport your firearm to a Colt Authorized Repair Service Station. Before shipping your firearm, here are some important points to remember:



**1. CAUTION: MAKE SURE THE MAGAZINE IS EMPTY AND THE FIREARM IS NOT LOADED.**

2. Write a letter explaining the problem and your requirements in as much detail as possible. Include the model name and serial number of your firearm together with your return address, then enclose the letter with the firearm in a well padded package.

3. Do not send presentation boxes, accessories, or explosive components.

4. A list of Colt Authorized Repair Service Stations is provided with your firearm.

5. Do not indicate the contents, or include "COLT" in the address on the pack, so that an inquisitive thief is not attracted to it by such information.

6. Insure the package and its contents against loss or theft.

This section is provided so that you may identify names of parts for your own interest. However, for adjustment, repair or spare parts information, see Section 5 "Servicing and Repair."

**DESCRIPTION**

- |                               |                                             |
|-------------------------------|---------------------------------------------|
| 1. Barrel                     | 15. Firing Pin                              |
| 2. Bolt                       | 16. Firing Pin Retaining Pin                |
| 3. Bolt Carrier               | 17. Front Sight                             |
| 4. Bolt Locking Lugs          | 18. Handguard Assembly (2)                  |
| 5. Buffer                     | 19. Key                                     |
| 6. Buffer Spring              | 20. Pistol Grip                             |
| 7. Buttstock                  | 21. Pivot Screw                             |
| 8. Cam Pin                    | 22. Rear Sight Assembly                     |
| 9. Carrying Handle            | 23. Sling Swivel                            |
| 10. Charging Handle           | 24. Takedown Pin                            |
| 11. Charging Handle Latch     | 25. Trigger                                 |
| 12. Extractor                 | 26. Trigger Guard                           |
| 13. Extractor Pin             | 27. Carrying Handle (for flat top receiver) |
| 14. Extractor Spring Assembly |                                             |



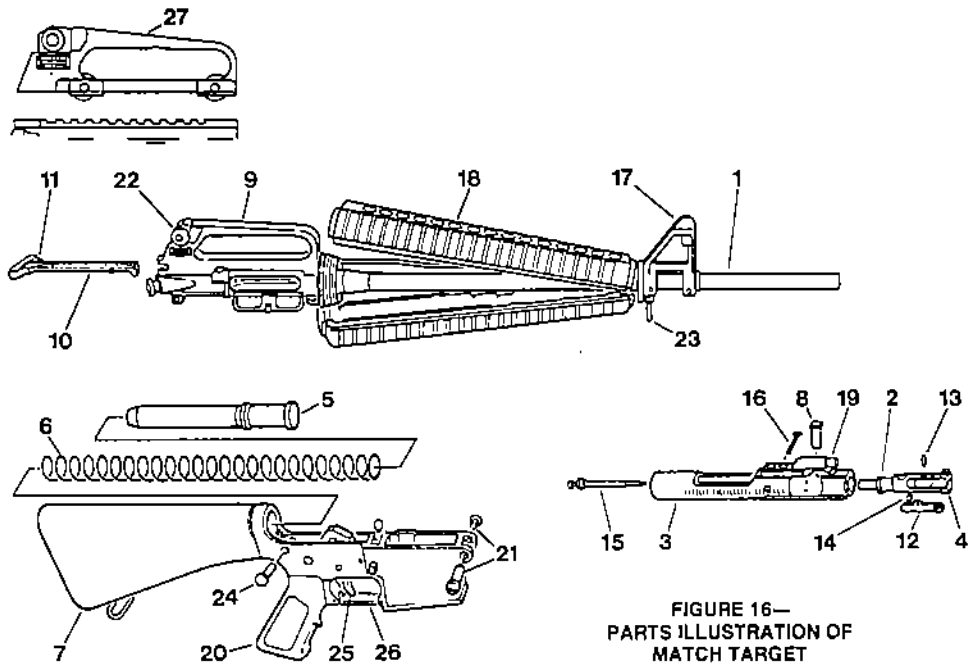


FIGURE 16—  
PARTS ILLUSTRATION OF  
MATCH TARGET

SAFETY DEPENDS ON YOU

Our Colt Custom Shop offers a wide range of special services such as engraving, inlaying and special serializing to the same high standard of quality long synonymous with the name "COLT." Sometimes modifications, which meet our customer's special requirements, necessitate deviations from standard design and manufacturing tolerances which result in functional differences from a standard gun. Consequently, this instruction manual does not apply to a customized gun unless its applicability has been confirmed by the Colt Custom Shop. For further information, write to Colt's Manufacturing Company, Inc., Custom Gun Shop, P.O. Box 1868, Hartford, Connecticut 06144-1868, USA.

## **FIREARM RECORD**

Colt Model \_\_\_\_\_

Serial No. \_\_\_\_\_

Caliber \_\_\_\_\_

Purchased  
from \_\_\_\_\_

Date  
Purchased \_\_\_\_\_

Purchase  
Price \_\_\_\_\_

**SAFETY DEPENDS ON YOU**

## **WARRANTY STATEMENT**

Based on Magnuson-Moss Warranty Act, Colt offers no express warranty on its product line. However, Colt recognizes its obligations concerning implied warranty. Colt also stands behind its products as it has historically, and will continue to provide services to its product line as it has over the years. Colt products will be serviced for a period of one year from the date of retail purchase, for defects in materials or workmanship, at no charge to the purchaser. Be sure to retain your sales slip as proof of purchase date when making a claim.

## **HEALTH AND ENVIRONMENTAL WARNING**



Discharging firearms in poorly ventilated areas, cleaning firearms, or handling ammunition may result in exposure to lead and other substances known to cause birth defects, reproductive harm, cancer, and other serious physical injury. Have adequate ventilation at all times. Wash hands thoroughly after exposure.

## NOTES

SAFETY DEPENDS ON YOU

## NOTES

If your instruction manual becomes lost or destroyed, obtain a replacement by writing to **Colt's Manufacturing Company, Inc., Box 1868, Hartford, Connecticut 06144-1868, USA** or call **1-800-962-COLT**. Make a note of the address. When requesting a manual, include the information which is on the left side of your firearm together with its serial number or quote the Part No. as shown on the back cover of this manual.



, the Rampant Colt figure, and all other Colt trademarks are the exclusive property of Colt's Manufacturing Company, Inc. For permission to reprint for noncommercial instructional purposes, prior approval from Colt's is required.

This instruction manual should always accompany this firearm. When you lend, give or sell this firearm, be sure this manual goes with it.

PRINTED IN USA

**SAFETY DEPENDS ON YOU**



### **Avvertimento Italiano**

Se c'è qualcosa che non riuscite a capire, rivolgetevi a qualcuno che sia qualificato nel maneggiare in maniera sicura le armi da fuoco.

### **Advertencia en Español**

Para cualquier aclaración de esta manual, consulte con alguna persona perita en el manejo seguro de armas de fuego.

### **Message Secutaire en Francais**

Pour tous renseignements complementaires, veuillez consulter un armurier qualifie dans le maniement de cesarmes.

### **Deutsche Sicherheitshinweise**

Sollten Sie noch weitere Fragen haben, wenden Sie sich bitte an einen Waffenspezialisten.

## **FUNDAMENTAL NRA RULES FOR SAFE GUN HANDLING**

- 1. ALWAYS KEEP THE GUN POINTED IN A SAFE DIRECTION.**
- 2. ALWAYS KEEP YOUR FINGERS OFF THE TRIGGER UNTIL READY TO SHOOT.**
- 3. ALWAYS KEEP THE GUN UNLOADED UNTIL READY TO USE.**